

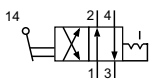
Technical details

Nominal size	5 mm
Temperature range	0°C ... +70°C
Medium	Filtered, oil-free and dried compressed air according to ISO 8573-1:2010, Class 7:2:4, instrument air, free of aggressive additives. Alternatively the pressure dew point must be at least 10°C below lowest occurring ambient temperature.
Materials	Body: aluminium-die-cast (varnished), seals: NBR, ceramic (only 84-4HV-18), inner parts: Al, steel



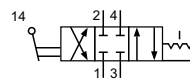
Manually operated valve with rotating lever.
Available as 4/2- and 4/3-way detent valve, center ports closed.

4/2-way-valves



84-4HV-xx-520-S
4/2-way, with detent function, with nut

4/3-way-valves



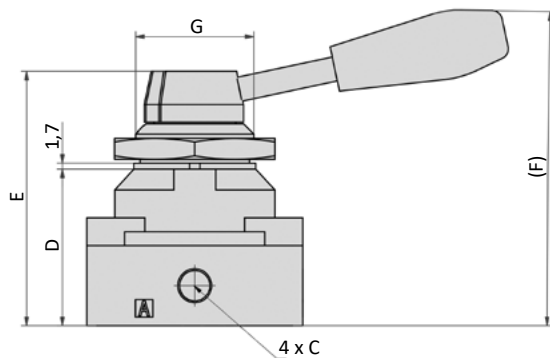
84-4HV-xx-530-S
4/3-way, center position closed, with nut

Please complete: xx = 18 for G1/8
xx = 14 for G1/4

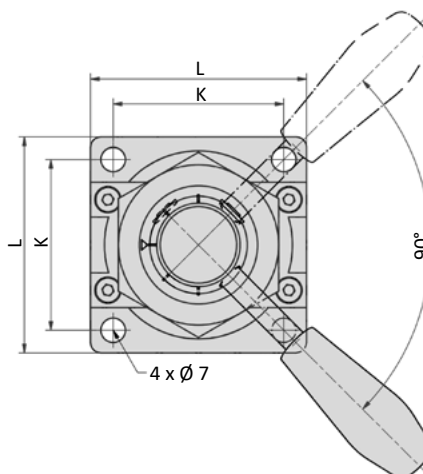
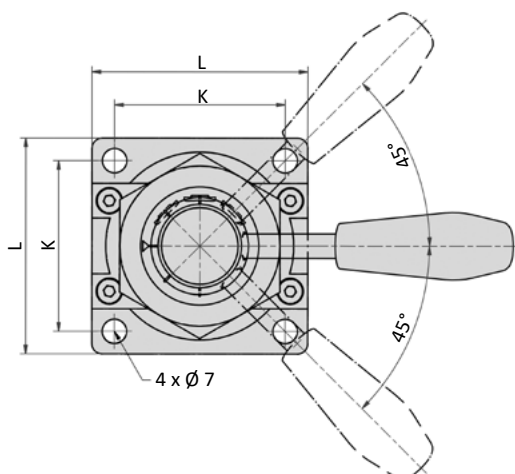
Technical data

Model-no.:	84-4HV-18-520-S	84-4HV-14-520-S	84-4HV-18-530-S	84-4HV-14-530-S
Connection	G1/8	G1/4	G1/8	G1/4
Flow rate (NI/min)	980	980	980	980
Operating pressure (bar)	0 ... 8 bar	0 ... 8 bar	0 ... 8 bar	0 ... 8 bar
Weight (kg)	0.39	0.68	0.39	0.67

Dimensions



	C	D	E	F	G	K	L
84-4HV-18-5xx	G1/8	45	73	86	M34 x 1,5	49	62
84-4HV-14-5xx	G1/4	61	94	106	M40 x 1,5	59	74



P = pressure inlet
A, B = outlets
R = exhaust